

# CX17B

**COMPACT EXCAVATOR  
TIER IV COMPLIANT**

## ENGINE

Model	Mitsubishi L3E-W231KBS Tier IV compliant
Cylinders	3
Bore/Stroke	2.99 in x 2.76 in (76 x 70 mm)
Displacement	58.1 in <sup>3</sup> (952 cc)
Fuel injection	Direct
Fuel injection pump	Mechanical
Fuel	Diesel
Fuel filter	Full flow
Cooling	Liquid
Horsepower per ISO 9249	
Net	15.15 hp (11.3 kW) @ 2200 rpm
Maximum torque @ 1800 rpm	
Net	39.5 lb-ft (53.5 N-m)

## BOOM/ARM

<b>Boom</b>	
Swing	80° left/50° right
Length	5 ft 9 in (1.75 m)
Boom arm cylinder & plumbing	156 lb (70.8 kg)
<b>Arm</b>	
Length	3 ft 3 in (.99 m)
Arm w/bucket cylinder linkage & plumbing	135 lb (61.2 kg)

## UNDERCARRIAGE

Number of rollers	
Top, each track	0
Bottom, each track	3
Gradability	58% (30°)

## HYDRAULICS

Pumps (2)	Variable displacement piston pump
Capacity –	
Maximum	2 x 4.3 gpm (2 x 16.3 L/min)
System relief pressure –	
Standard	3133 psi (21.6 MPa)
Pilot control hydraulic system –	
Pump (1)	Gear pump
Maximum capacity	1.6 gpm (6 L/min)
Relief pressure	508 psi (3.5 MPa)
Control valves –	
9 function multiple control valve	
Pump #1 for right travel and bucket function	
Pump #2 for left travel, house swing, and arm function	
Pump #3 for boom center swing	
Pump #4 for pilot valve	
Swing –	
Motor (1)	Fixed displacement axial piston design
Speed	0-8.6 rpm
Brake	Spring applied, hydraulically released with dual cushion relief
Tail swing radius	1 ft 11 in (589 mm)
Tail swing overhang	0 ft 0 in (0 mm)
Travel –	
Motor (2)	Two-speed axial piston design
Final drive	Planetary gear reduction
Travel Speeds –	
	Forward/Reverse
Low	1.2 mph (2.0 km/h)
High	2.5 mph (4.0 km/h)

## HYDRAULIC CYLINDERS

<b>Boom cylinders (1)</b>	
Bore diameter	2.36 in (60 mm)
Rod diameter	1.77 in (45 mm)
Stroke	15.9 in (404 mm)
<b>Arm cylinder (1) –</b>	
Bore diameter	2.36 in (60 mm)
Rod diameter	1.77 in (45 mm)
Stroke	16.1 in (408 mm)
<b>Bucket cylinder (1) –</b>	
Bore diameter	1.97 in (50 mm)
Rod diameter	1.57 in (40 mm)
Stroke	14.4 in (365 mm)

## ELECTRICAL

Voltage	12 volts,
Alternator	20 amp
Batteries (1) 12V	Heavy-duty

## SERVICE CAPACITIES

<b>Hydraulic tank</b>	
Refill capacity	2.4 gal (9 L)
Total system	4.0 gal (15 L)
<b>Engine</b>	
w/filter change	0.93 gal (3.5 L)
Fuel	5.8 gal (22 L)
Radiator	1.0 gal (3.7 L)

## OPERATING WEIGHT

With 165 lb (75 kg) operator, 67 lb (30 kg) bucket, full fuel and standard equipment	
	3,638 lb (1650 kg)
Ground pressure	3.9 psi (27.5 kPa)

## LIFT CAPACITIES

**Canopy model – 3 ft 3 in (980 mm) Arm** *Lift capacities calculated using 9.0 in (230 mm) shoes, 67 lb (35 kg) bucket, blade down, 80 kg counterweight.*

Load (Lift Point) Height	2.5 ft (0.8 m)		5 ft (1.5 m)		7.5 ft (2.3 m)		10 ft (3.0 m)	
	END	SIDE	END	SIDE	END	SIDE	END	SIDE
+10 ft (3.0 m)								
+7.6 ft (2.3 m)					680 lb* (310 kg)*	680 lb* (310 kg)*		
+5 ft (1.5 m)					880 lb* (390 kg)*	830 lb (370 kg)	740 lb* (330 kg)*	500 lb (230 kg)
+2 ft 6 in (0.8 m)			1,620 lb* (730 kg)*	1,420 lb (640 kg)	1,190 lb* (540 kg)*	760 lb (340 kg)	830 lb* (370 kg)*	480 lb (210 kg)
Ground Level			2,090 lb* (950 kg)*	1,380 lb (620 kg)	1,340 lb* (610 kg)*	710 lb (320 kg)	870 lb* (390 kg)*	460 lb (210 kg)
-2 ft 6 in (-0.8 m)	2,310 lb* (1040 kg)*	2,310 lb* (1040 kg)*	2,150 lb* (970 kg)*	1,390 lb (630 kg)	1,210 lb* (550 kg)*	710 lb (320 kg)		
-5 ft (-1.5 m)			1,110 lb* (500 kg)*	1,110 lb* (500 kg)*				

\*Rated loads are hydraulic limits rather than tipping load limits.

**Cab model – 3 ft 3 in (980 mm) Arm** *Lift capacities calculated using 9.0 in (230 mm) shoes, 67 lb (35 kg) bucket, blade down, 80 kg counterweight.*

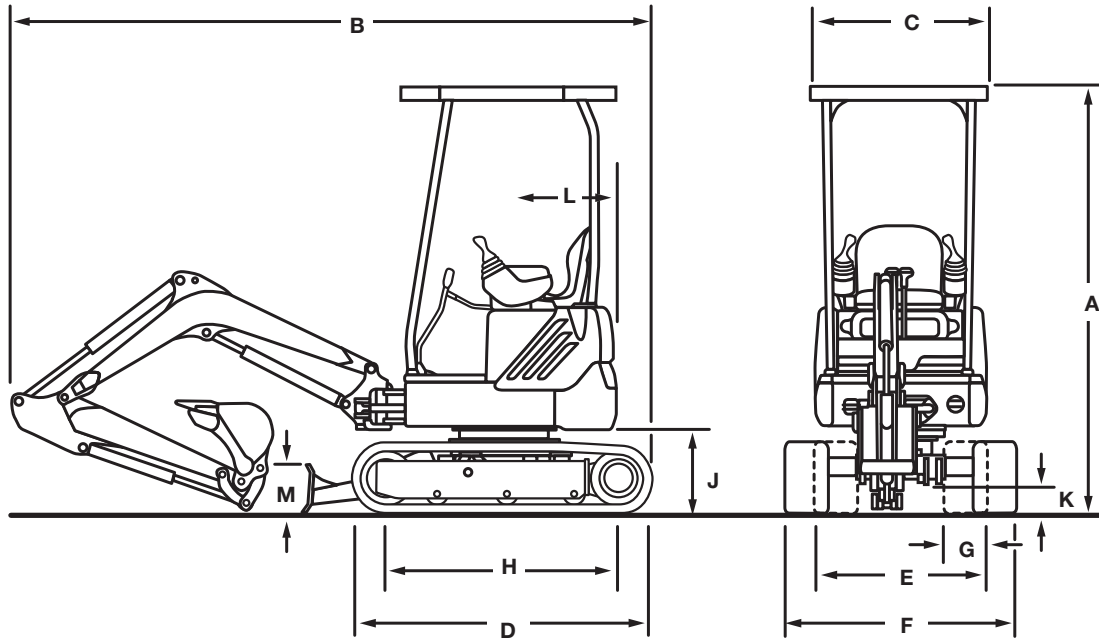
Load (Lift Point) Height	2.6 ft (0.8 m)		5 ft (1.5 m)		7.6 ft (2.3 m)		10 ft (3.0 m)	
	END	SIDE	END	SIDE	END	SIDE	END	SIDE
+5 ft (1.5 m)							740 lb* (330 kg)*	490 lb (220 kg)
+2 ft 6 in (0.8 m)			1,620 lb* (730 kg)*	1,390 lb (630 kg)	1,190 lb* (540 kg)*	740 lb (330 kg)	830 lb* (370 kg)*	470 lb (210 kg)
Ground Level			2,090 lb* (950 kg)*	1,350 lb (610 kg)	1,340 lb* (610 kg)*	700 lb (310 kg)	870 lb* (390 kg)*	450 lb (200 kg)
-2 ft 6 in (-0.8 m)	2,310 lb* (1040 kg)*	2,310 lb* (1040 kg)*	2,150 lb* (970 kg)*	1,360 lb (620 kg)	1,210 lb* (550 kg)*	690 lb (310 kg)		
-5 ft (-1.5 m)			1,110 lb* (500 kg)*	1,110 lb* (500 kg)*				

\*Rated loads are hydraulic limits rather than tipping load limits.

**Canopy model – 3 ft 11 in (1.20 m) Arm** *Lift capacities calculated using 9.0 in (230 mm) shoes, 67 lb (35 kg) bucket, blade down, 80 kg counterweight.*

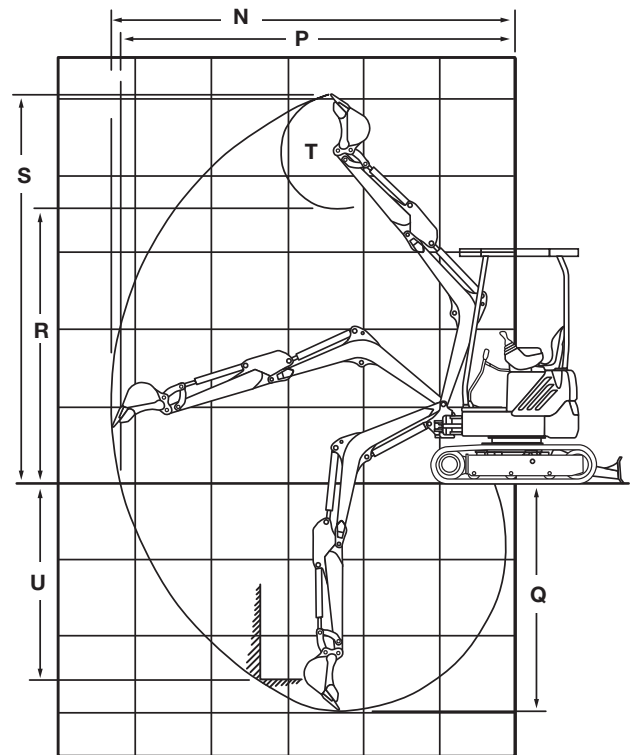
Load (Lift Point) Height	2.6 ft (0.8 m)		5 ft (1.5 m)		7.6 ft (2.3 m)		10 ft (3.0 m)		At Max. Reach		
	END	SIDE	END	SIDE	END	SIDE	END	SIDE			Radius
+10 ft (3.0 m)									660 lb* (290 kg)*	630 lb (280 kg)	8 ft 4 in 2.54 m
+7.6 ft (2.3 m)							610 lb* (280 kg)*	460 lb (200 kg)	630 lb* (280 kg)*	410 lb (180 kg)	10 ft 6 in 3.20 m
+5 ft (1.5 m)					730 lb* (330 kg)*	730 lb* (330 kg)*	660 lb* (300 kg)*	430 lb (190 kg)	630 lb* (280 kg)*	320 lb (140 kg)	11 ft 6 in 3.51 m
+2 ft 6 in (0.8 m)			2,270 lb* (1030 kg)*	1,280 lb (580 kg)	1,070 lb* (480 kg)*	660 lb (300 kg)	770 lb* (350 kg)*	400 lb (180 kg)	660 lb* (290 kg)*	300 lb (130 kg)	11 ft 9 in 3.60 m
Ground Level	1,010 lb* (480 kg)*	1,010 lb* (480 kg)*	1,940 lb* (880 kg)*	1,170 lb (530 kg)	1,300 lb* (590 kg)*	600 lb (270 kg)	840 lb* (380 kg)*	380 lb (170 kg)	690 lb* (310 kg)*	300 lb (130 kg)	11 ft 5 in 3.48 m
-2 ft 6 in (-0.8 m)	1,830 lb* (830 kg)*	1,830 lb* (830 kg)*	2,340 lb* (1060 kg)*	1,170 lb (530 kg)	1,250 lb* (560 kg)*	590 lb (260 kg)	770 lb (350 kg)	370 lb (170 kg)	720 lb* (320 kg)*	380 lb (160 kg)	10 ft 3 in 3.13 m
-5 ft (-1.5 m)	2,860 lb* (1300 kg)*	2,860 lb* (1300 kg)*	1,500 lb* (680 kg)*	1,220 lb* (550 kg)*	810 lb* (360 kg)*	610 lb (280 kg)			710 lb* (320 kg)	560 lb (250 kg)	7 ft 11 in 2.42 m

\*Rated loads are hydraulic limits rather than tipping load limits.



## DIMENSIONS

A. Overall height	7 ft 9 in (2.35 m)
B. Overall length	11 ft 3 in (3.42 m)
C. Width of upperstructure	2 ft 11 in (0.89 m)
D. Track overall length	5 ft 2 in (1.56 m)
E. Track overall width w/9.1 in (230 mm) shoes – retracted	3 ft 3 in (0.99 m)
F. Track overall width w/9.1 in (230 mm) shoes – expanded	4 ft 4 in (1.32 m)
G. Track shoe width	9.1 in (230 mm)
H. Center to center (idler to sprocket)	4 ft 0 in (1.21 m)
J. Upperstructure ground clearance	1 ft 6 in (445 mm)
K. Minimum ground clearance	6.9 in (175 mm)
L. Tail swing radius	2 ft 1 in (640 mm)
M. Backfill blade height	9.8 in (250 mm)
Working weight	3,638 lb (1650 kg)
Ground pressure	3.9 psi (27.5 kPa)
Tail swing overhang	0 ft 0 in (0 m)



## PERFORMANCE SPECS

	3 ft 11 in (1.20 m) arm	3 ft 3 in (.99 m) arm
N. Maximum dig radius	13 ft 6 in (4.12 m)	12 ft 9 in (3.89 m)
P. Dig radius at groundline	13 ft 2 in (4.02 m)	12 ft 5 in (3.79 m)
Q. Maximum dig depth	7 ft 9 in (2.37 m)	7 ft 1 in (2.15 m)
R. Dump height	9 ft 4 in (2.85 m)	8 ft 8 in (2.65 m)
S. Overall reach height	12 ft 8 in (3.88 m)	12 ft 1 in (3.68 m)
T. Bucket rotation	188°	188°
U. Vertical straight wall dig depth	6 ft 4 in (1.92 m)	5 ft 5 in (1.66 m)
Arm digging force	1,956 lb (887 kg)	2,248 lb (1020 kg)
Bucket digging force	3,417 lb (1550 kg)	3,417 lb (1550 kg)

## STANDARD EQUIPMENT

### OPERATOR'S COMPARTMENT

ROPS/FOPS three post canopy

Operator's controls:

- Pilot operated hand controls and foot pedals
- Control pattern selector valve (ISO & tractor loader backhoe)

Display includes:

- Engine oil pressure, water temperature lamp, air filter lamp, water separator detection lamp, low fuel warning lamp, battery charge lamp, glow plug indicator lamp, water temperature gauge and hour meter

Adjustable seat with seat belt

Arm rests

### ENGINE

Mitsubishi L3E-W231KBS diesel

Tier IV compliant

4 Cycle

Water cooled

Direct injection

One touch decelerator

Engine access under rear hood

Dry type air cleaner with restriction indicator

Glow plug starting aid

### ELECTRICAL

12-volt electrical starting system

Heavy-duty battery

Horn

### HYDRAULICS

Auxiliary hydraulics (single/bi-directional) and plumbing to arm

Large hydraulic oil cooler

### TRACK DRIVE

Rubber tracks

2 speed travel

Fully hydrostatic drive system

Sealed and lubricated track rollers

Track tension adjustment (grease type)

Disc type parking brake (auto release and apply)

### UPPER STRUCTURE

Zero tail swing

Swing lock

Swing brake

Swing shock valve

### OTHER

Swing boom (80° left/50° right)

Hydraulic backfill blade

## OPTIONAL EQUIPMENT

Steel tracks

3 ft 11 in (1.20 m) arm

Manual coupler

Thumb - Universal rigid

Thumb - Universal rigid - coupler

## BUCKETS

Width	SAE Heaped Capacity	Weight
10 in (254 mm)	0.85 ft <sup>3</sup> (0.024 m <sup>3</sup> )	61 lb (28 kg)
12 in (305 mm)	1.0 ft <sup>3</sup> (0.028 m <sup>3</sup> )	67 lb (30 kg)
16 in (406 mm)	1.3 ft <sup>3</sup> (0.036 m <sup>3</sup> )	76 lb (34 kg)

NOTE: All specifications are stated in accordance with SAE Standards or Recommended Practices, where applicable.

NOTE: All engines meet current EPA emissions requirements.

IMPORTANT: Case Construction Equipment Inc. reserves the right to change these specifications without notice and without incurring any obligation relating to such change. Case Construction Equipment Inc. does not warrant the safety or reliability of attachments from other manufacturers.

Case is a registered trademark of CNH America LLC. Any trademarks referred to herein, in association with goods and/or services of companies other than CNH America LLC, are the property of those respective companies.



[www.casece.com](http://www.casece.com)