

**ENGINE**

Model	Yanmar 4TNV88-BXPYBD
Cylinders	4
Bore/Stroke	3.46 in x 3.54 in (88 x 90 mm)
Displacement	134.2 in <sup>3</sup> (2.2 L)
Fuel injection	Direct
Fuel injection pump	Mechanical
Fuel	Diesel
Fuel filter	Full flow, paper element
Cooling	Liquid
Horsepower per SAE J1349	
Net	39.3 hp (29.3 kW) @ 2400 rpm
Maximum torque @ 1440 rpm	
Net	102.7 lb-ft (139.3 N-m)

**BOOM/ARM**

<b>Boom</b>	
Swing	70° left/60° right
Length	9 ft 9 in (2.98 m)
<b>Arm</b>	
Length	5 ft 6.5 in (1.66 m)

**UNDERCARRIAGE**

Number of rollers	
Top, each track	1
Bottom, each track	5
Gradeability	58% (30°)
Drawbar Pull	12,409 lbf (55.2 kN)

**HYDRAULICS**

Pumps	Tandem variable displacement axial piston pump
Capacity –	
Maximum	2 x 15 gpm (2 x 57.1 L/min)
Auxiliary Flow	15.0 gpm (57.1 L/min)
System relief pressure –	
Standard	3,336 psi (23.0 MPa)
Pilot control hydraulic system –	
Pump (1)	Gear pump
Maximum capacity	4.0 gpm (15.2 L/min)
Relief pressure	514 psi (3.5 MPa)
Control valves –	
11 spool	
Pilot control for left/right track travel, boom, arm, bucket & swing	
Manual control for breaker & backfill blade	
Swing/Dozer blade	
Motor (1)	Fixed displacement axial piston design
Speed	0-8.9 rpm
Brake	Hydraulic brake
Tail swing radius	4 ft 2 in (1280 mm)
Tail swing overhang	0 ft 11.7 in (299 mm)
Travel –	
Motor (2)	2-speed axial piston design
Final drive	Planetary gear reduction
Travel speeds –	
Forward/Reverse	
Low	1.7 mph (2.7 km/h)
High	2.9 mph (4.6 km/h)

**HYDRAULIC CYLINDERS**

Boom cylinder (1)	
Bore diameter	3.94 in (100 mm)
Rod diameter	2.17 in (55 mm)
Stroke	26.8 in (680 mm)
Arm cylinder (1) –	
Bore diameter	3.54 in (90 mm)
Rod diameter	1.97 in (50 mm)
Stroke	28.9 in (735 mm)
Bucket cylinder (1) –	
Bore diameter	2.95 in (75 mm)
Rod diameter	1.57 in (40 mm)
Stroke	21.4 in (543mm)

**ELECTRICAL**

Voltage	12 volts, negative ground
Alternator	40 amp
Batteries (1) 12V	Low-maintenance

**SERVICE CAPACITIES**

Hydraulic tank	
Refill capacity	9 gal (34 L)
Total system	16 gal (61 L)
Engine oil	
w/filter change	2 gal (7.4 L)
Fuel	19.8 gal (75 L)
Radiator	1.6 gal (6.0 L)

**OPERATING WEIGHT**

Cab with 165 lb (75 kg) operator, 247 lb (112 kg) bucket, full fuel and standard equipment	
12,295 lb (5577 kg)	

## LIFT CAPACITIES

**Canopy model – 5 ft 6.5 in (1.66 m) Arm** Lift capacities calculated using 15.7 in (400 mm) shoes, 247 lb (112 kg) bucket, blade down.

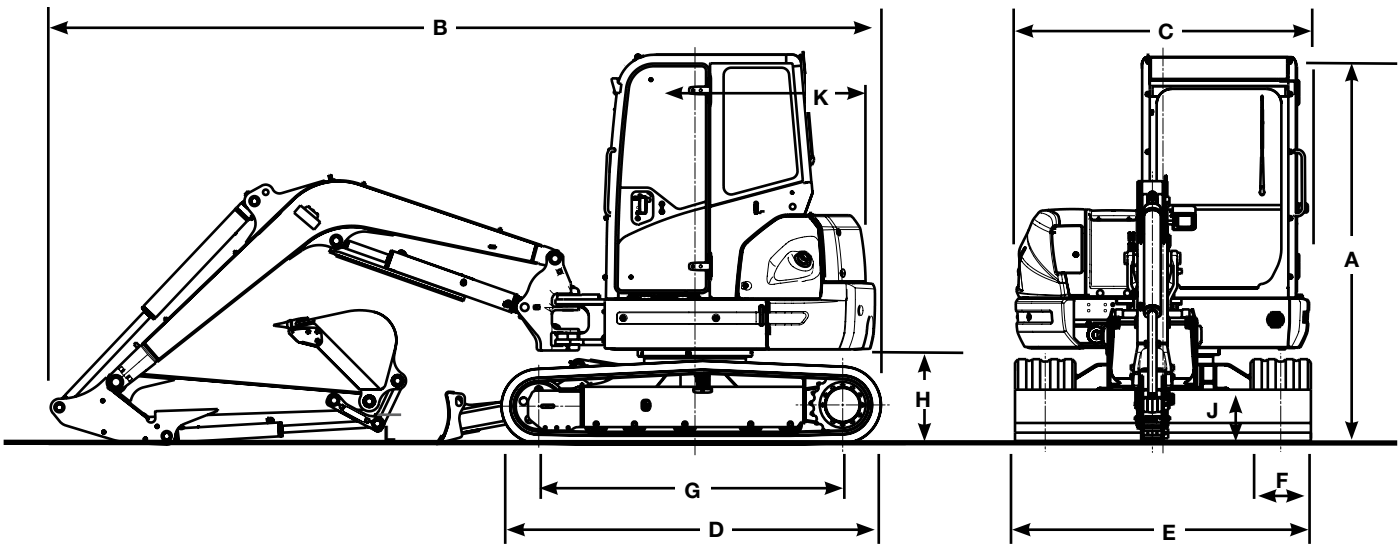
Load (Lift Point) Height	5 ft (1.5 m)		7.5 ft (2.3 m)		10 ft (3.0 m)		12.5 ft (3.8 m)		15 ft (4.6 m)		17.5 ft (5.3 m)	
	END	SIDE	END	SIDE	END	SIDE	END	SIDE	END	SIDE	END	SIDE
+15 ft (4.6 m)							1,800 lb* 810 kg*	1,800 lb* 810 kg*				
+12.5 ft (3.8 m)							1,640 lb* 740 kg*	1,640 lb* 740 kg*	1,860 lb* 840 kg*	1,740 lb* 780 kg		
+10 ft (3.0 m)							1,830 lb* 830 kg*	1,830 lb* 830 kg*	1,850 lb* 830 kg*	1,750 lb* 790 kg		
+7.5 ft (2.3 m)			3,840 lb* 1740 kg*	3,840 lb* 1740 kg*	2,670 lb* 1210 kg*	2,670 lb* 1210 kg*	2,230 lb* 1010 kg*	2,230 lb* 1010 kg*	2,030 lb* 920 kg*	1,710 lb* 770 kg		
+5 ft (1.52 m)					3,730 lb* 1690 kg*	3,140 lb* 1420 kg	2,740 lb* 1240 kg*	2,230 lb* 1010 kg	2,280 lb* 1030 kg*	1,660 lb* 750 kg	2,060 lb* 930 kg*	1,280 lb* 580 kg
+2.5 ft (0.8 m)					4,550 lb* 2060 kg*	2,980 lb* 1350 kg	3,190 lb* 1440 kg*	2,140 lb* 970 kg	2,530 lb* 1140 kg*	1,620 lb* 730 kg	2,160 lb* 970 kg*	1,260 lb* 570 kg
Ground Level			3,710 lb* 1680 kg*	3,710 lb* 1680 kg*	4,910 lb* 2220 kg*	2,900 lb* 1310 kg	3,480 lb* 1570 kg*	2,080 lb* 940 kg	2,700 lb* 1220 kg*	1,580 lb* 710 kg		
-2.5 ft (-0.8 m)	4,130 lb* 1870 kg*	4,130 lb* 1870 kg*	5,940 lb* 2690 kg*	4,630 lb* 2100 kg	4,910 lb* 2220 kg*	2,890 lb* 1310 kg	3,550 lb* 1610 kg*	2,060 lb* 930 kg	2,710 lb* 1220 kg*	1,570 lb* 710 kg		
-5 ft (-1.5 m)	6,320 lb* 2860 kg*	6,320 lb* 2860 kg*	6,730 lb* 3050 kg*	4,700 lb* 2130 kg	4,570 lb* 2070 kg*	2,920 lb* 1320 kg	3,330 lb* 1510 kg*	2,070 lb* 930 kg				
-7.5 ft (-2.3 m)	9,150 lb* 4150 kg*	9,150 lb* 4150 kg*	5,450 lb* 2470 kg*	4,810 lb* 2180 kg	3,750 lb* 1700 kg*	2,990 lb* 1350 kg						
-10 ft (-3.0 m)			2,670 lb* 1210 kg*	2,670 lb* 1210 kg*								

\*Rated loads are hydraulic limits rather than tipping load limits.

**Cab model – 5 ft 6.5 in (1.66 m) Arm** Lift capacities calculated using 15.7 in (400 mm) shoes, 247 lb (112 kg) bucket, blade down.

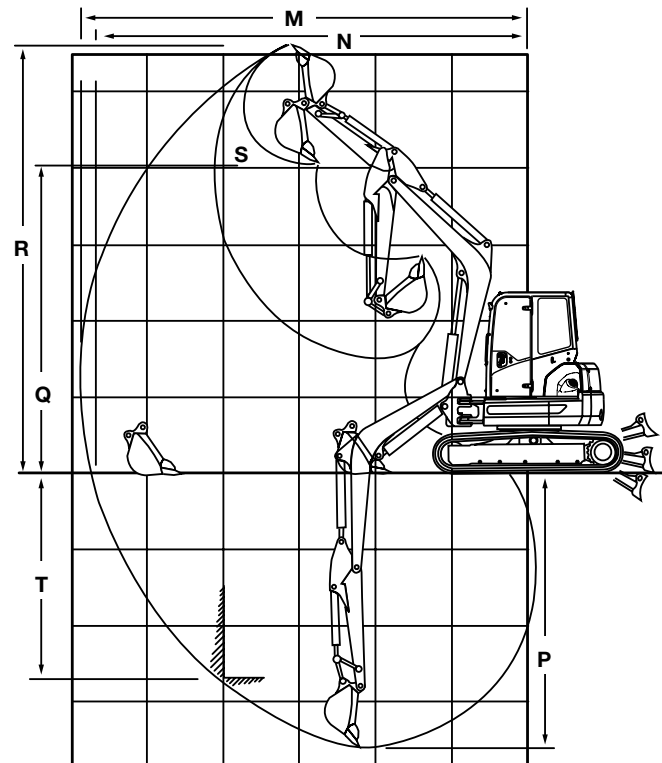
Load (Lift Point) Height	5 ft (1.5 m)		7.5 ft (2.3 m)		10 ft (3.0 m)		12.5 ft (3.8 m)		15 ft (4.6 m)		17.5 ft (5.3 m)	
	END	SIDE	END	SIDE	END	SIDE	END	SIDE	END	SIDE	END	SIDE
+15 ft (4.6 m)							1,800 lb* 810 kg*	1,800 lb* 810 kg*				
+12.5 ft (3.8 m)							1,640 lb* 740 kg*	1,640 lb* 740 kg*	1,860 lb* 840 kg*	1,810 lb* 820 kg		
+10 ft (3.0 m)							1,830 lb* 830 kg*	1,830 lb* 830 kg*	1,850 lb* 830 kg*	1,810 lb* 820 kg		
+7.5 ft (2.3 m)			3,840 lb* 1740 kg*	3,840 lb* 1740 kg*	2,670 lb* 1210 kg*	2,670 lb* 1210 kg*	2,230 lb* 1010 kg*	2,230 lb* 1010 kg*	2,030 lb* 920 kg*	1,780 lb* 800 kg		
+5 ft (1.52 m)					3,730 lb* 1690 kg*	3,250 lb* 1470 kg	2,740 lb* 1240 kg*	2,310 lb* 1040 kg	2,280 lb* 1030 kg*	1,730 lb* 780 kg	2,060 lb* 930 kg*	1,340 lb* 600 kg
+2.5 ft (0.8 m)					4,550 lb* 2060 kg*	3,100 lb* 1400 kg	3,190 lb* 1440 kg*	2,230 lb* 1010 kg	2,530 lb* 1140 kg*	1,690 lb* 760 kg	2,160 lb* 970 kg*	1,320 lb* 590 kg
Ground Level			3,710 lb* 1680 kg*	3,710 lb* 1680 kg*	4,910 lb* 2220 kg*	3,020 lb* 1360 kg	3,480 lb* 1570 kg*	2,170 lb* 980 kg	2,700 lb* 1220 kg*	1,650 lb* 740 kg		
-2.5 ft (-0.8 m)	4,130 lb* 1870 kg*	4,130 lb* 1870 kg*	5,940 lb* 2690 kg*	4,810 lb* 2180 kg	4,910 lb* 2220 kg*	3,010 lb* 1360 kg	3,550 lb* 1610 kg*	2,150 lb* 970 kg	2,710 lb* 1220 kg*	1,640 lb* 740 kg		
-5 ft (-1.5 m)	6,320 lb* 2860 kg*	6,320 lb* 2860 kg*	6,730 lb* 3050 kg*	4,880 lb* 2210 kg	4,570 lb* 2070 kg*	3,030 lb* 1370 kg	3,330 lb* 1510 kg*	2,160 lb* 970 kg				
-7.5 ft (-2.3 m)	9,150 lb* 4150 kg*	9,150 lb* 4150 kg*	5,450 lb* 2470 kg*	4,990 lb* 2260 kg	3,750 lb* 1700 kg*	3,110 lb* 1410 kg						
-10 ft (-3.0 m)			2,670 lb* 1210 kg*	2,670 lb* 1210 kg*								

\*Rated loads are hydraulic limits rather than tipping load limits.



### DIMENSIONS

A. Overall height	8 ft 4 in (2.55 m)
B. Overall length	17 ft 10 in (5.42 m)
C. Width of upperstructure	6 ft 4 in (1.94 m)
D. Track overall length	8 ft 1 in (2.48 m)
E. Track overall width w/15.7 in (400 mm) shoes	6 ft 5 in (1.96 m)
F. Track shoe width	15.7 in (400 mm)
G. Center to center (idler to sprocket)	6 ft 6 in (1.90 m)
H. Upperstructure ground clearance	24.5 in (625 mm)
J. Minimum ground clearance	1 ft 2 in (350 mm)
K. Tail swing radius	4 ft 2 in (1.28 m)
L. Backfill blade height	1 ft 2 in (345 mm)
Working weight	12,295 lb (5577 kg)
Ground pressure	4.5 psi (31.3 kPa)
Boom swing	Left 70°/ Right 60°
Tail swing overhang	11.7 in (299 mm)



### PERFORMANCE SPECS

	5 ft 6.5 in (1.66 m) Arm
M. Maximum dig radius	20 ft 5 in (6.22 m)
N. Dig radius at groundline	19 ft 11 in (6.07 m)
P. Maximum dig depth	12 ft 10 in (3.91 m)
Q. Dump height	13 ft 10 in (4.20 m)
R. Overall reach height	18 ft 11 in (5.76 m)
S. Bucket rotation	178°
T. Vertical straight wall dig depth	10 ft 0.5 in (3.06 m)
Arm digging force	5,598 lbf (24.9 kN)
Bucket digging force, 2 position bucket	11,240 lbf (50.0 kN)

## STANDARD EQUIPMENT

### OPERATOR'S COMPARTMENT

ROPS/FOPS four post canopy

Operator's controls:

Pilot operated hand controls and foot pedals

Display includes:

Engine oil pressure, water temperature lamp, air filter lamp, water separator detection lamp, low fuel warning lamp, battery charge lamp, glow plug indicator lamp, water temperature gauge, fuel gauge and hourmeter

Adjustable seat with seat belt

Two-piece floor mat

Fold-open/-up front window (cab)

Arm rests

### ENGINE

Yanmar 4TNV88-BXPYBD diesel

4-cycle

Water cooled

Direct injection

One-touch decelerator

Engine access under rear hood

Dry-type air cleaner

Glow plug starting aid

### ELECTRICAL

12-volt electrical starting system

Heavy-duty battery

Horn

### HYDRAULICS

Auxiliary hydraulics (single/bi-directional) and plumbing to arm

Large hydraulic oil cooler

Control pattern selector valve

### TRACK DRIVE

Rubber tracks

Automatic 2-speed travel

Fully hydrostatic drive system

Sealed and lubricated track rollers

Track tension adjustment (grease-type)

Disc-type parking brake (auto-release and -apply)

### UPPER STRUCTURE

Minimal tail swing

Swing lock

Swing brake

Swing shock valve

### OTHER

Swing boom (70° left/60° right)

Hydraulic backfill blade

Eco-friendly diesel fuel drain

Reinforced boom work light

Boom cylinder guard

Thumb bracket

## OPTIONAL EQUIPMENT

### OPERATOR'S COMPARTMENT

Cab with heat and AC

### OTHER

Steel tracks

Mechanical coupler

Rigid thumb

Hydraulic thumb

2nd auxiliary hydraulics

4-way hydraulic dozer blade

## BUCKETS

Width	SAE Heaped Capacity	Weight
12 in (305 mm)	3.0 ft <sup>3</sup> (0.085 m <sup>3</sup> )	314 lb (142 kg)
18 in (457 mm)	4.5 ft <sup>3</sup> (0.127 m <sup>3</sup> )	362 lb (164 kg)
24 in (610 mm)	6.3 ft <sup>3</sup> (0.178 m <sup>3</sup> )	435 lb (197 kg)
36 in (914 mm)	9.8 ft <sup>3</sup> (0.277 m <sup>3</sup> )	525 lb (238 kg)



NOTE: All specifications are stated in accordance with SAE Standards or Recommended Practices, where applicable.

NOTE: All engines meet current EPA emissions requirements.

IMPORTANT: Case Construction Equipment Inc. reserves the right to change these specifications without notice and without incurring any obligation relating to such change. Case Construction Equipment Inc. does not warrant the safety or reliability of attachments from other manufacturers.

Case is a registered trademark of CNH America LLC. Any trademarks referred to herein, in association with goods and/or services of companies other than CNH America LLC, are the property of those respective companies.



[www.casece.com](http://www.casece.com)

