

ENGINE

Model	Isuzu AU-4LE2X, Tier III certified
Type	4-stroke turbocharged
Cylinders	4
Bore/Stroke	3.35 in x 3.78 in (85 x 96 mm)
Displacement	133 in ³ (2179 cc)
Fuel injection	Direct
Fuel injection pump	Mechanical
Fuel	Diesel
Fuel filter	In-line strainer
Cooling	Liquid
Horsepower per SAE J1349	
Net	54 hp (40 kW) @ 2000 rpm
Maximum torque @ 1500 rpm	
Net	155 lb-ft (210 N-m)

BOOM/ARM

Boom 12 ft 8 in (3.87 m)

Boom w/arm cylinder & plumbing	1,085 lb (492 kg)
Hoist cylinders (1)	227 lb (103 kg) ea
Total weight	1,312 lb (595 kg)

5 ft 7 in Arm (1.71 m)

Bare arm	308 lb (140 kg)
Bucket cylinder linkage & plumbing	254 lb (115 kg)
Total weight	562 lb (255 kg)

6 ft 11 in Arm (2.12 m)

Bare arm	408 lb (185 kg)
Bucket cylinder linkage & plumbing	254 lb (115 kg)
Total weight	662 lb (300 kg)

Offset boom 12 ft 10 in (3.92 m)

Boom w/arm cylinder & plumbing	1,989 lb (902 kg)
Hoist cylinders (1)	227 lb (103 kg) ea
Total weight	2,216 lb (1005 kg)

Arm Offset boom 5 ft 9 in (1.75 m)

Bare arm	311 lb (141 kg)
Bucket cylinder linkage & plumbing	264 lb (120 kg)
Total weight	575 lb (261 kg)

UNDERCARRIAGE

Number of rollers	
Top, each track	1
Bottom, each track	5
Number of shoes	
Triple grouser – each side	39
Link pitch	6.06 in (154 mm)
Gradeability	70%

HYDRAULICS

Pumps (2)	Variable displacement axial piston design
Capacity –	
Maximum	2 x 18.0 gpm (68 L/min)
System relief pressure –	
Standard	4264 psi (29.4 MPa)
Control valves –	
1-spool blade and auxiliary	
4-spool section for right track travel, boom, bucket and arm	
5-spool section for left track travel, boom, auxiliary, swing and arm	
Boom anti-drift valves	
Pilot control hydraulic system –	
Pump (1)	Gear design
Maximum capacity	5.7 gpm (21.4 L/min)
Relief pressure	609 psi (4.2 MPa)
Swing –	
Motor (1)	Fixed displacement axial piston design
Speed	0-9.5 rpm
Brake	Mechanical disk
Travel –	
Motor (2)	Two-speed axial piston design
Final drive	Planetary gear reduction
Drawbar pull	13,331 lb (59 kN)
Travel Speeds – 2	
Auto shift high to low	Forward/Reverse
Low	2.1 mph (3.4 km/h)
High	3.2 mph (5.1 km/h)
Travel control valve –	
Dual stage relief and counter-balance design	

HYDRAULIC CYLINDERS

Boom cylinders (1) –	
Bore diameter	4.3 in (110 mm)
Rod diameter	2.8 in (70 mm)
Stroke	35.9 in (911 mm)
Arm cylinder (1) –	
Bore diameter	3.7 in (95 mm)
Rod diameter	2.4 in (60 mm)
Stroke	31.4 in (797 mm)
Bucket cylinder (1) –	
Bore diameter	3.3 in (85 mm)
Rod diameter	2.2 in (55 mm)
Stroke	26.2 in (665 mm)

ELECTRICAL

Voltage	12 volts, negative ground
Alternator	50 amp
Batteries (1)	Low-maintenance 64 Ah (5 hr rate)

SERVICE CAPACITIES

Hydraulic tank	
Refill capacity	13 gal (50 L)
Total system	26 gal (97 L)
Final drive (per side)	1.2 qt (1.1 L)
Swing drive	2.3 qt (2.2 L)
Engine	
w/filter change	9.5 qt (9.0 L)
Fuel	26 gal (100 L)
Radiator	10.8 qt (10.2 L)

OPERATING WEIGHT

With 5 ft 7 in (1.71 m) arm, 17.7 in (450 mm) track shoes, 460 lb (210 kg) bucket, 165 lb (75 kg) operator, full fuel and standard equipment 17,468 lb (7919 kg)

LIFT CAPACITIES

5 ft 7 in (1.71 m) Arm Lift capacities calculated using a 460 lb (210kg) bucket, 3,020 lb (1370 kg) counterweight operating in "Standard" Mode, blade down.

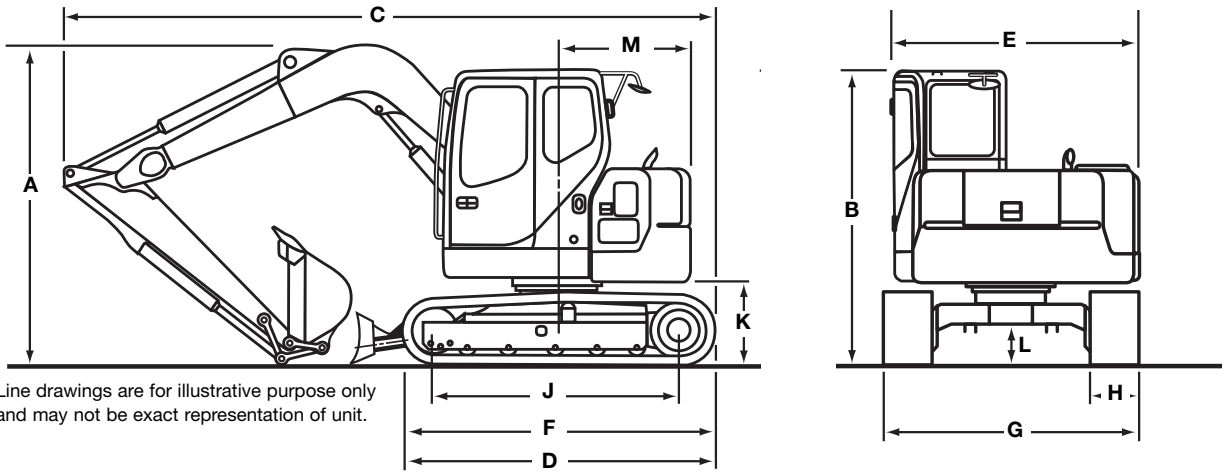
Load (Lift Point) Height	10 ft (3.05 m)		15 ft (5.57 m)		MAXIMUM REACH		
	END	SIDE	END	SIDE	@	END	SIDE
+20 ft (6.10 m)					12 ft 11 in (3.94 m)	3,252 lb* (1475 kg)*	3,252 lb* (1475 kg)*
+15 ft (4.57 m)	3,502 lb* (1588 kg)*	3,502 lb* (1588 kg)*			17 ft 10 in (5.44 m)	2,902 lb* (1316 kg)*	2,452 lb (1112 kg)
+10 ft (3.05 m)	4,702 lb* (2133 kg)*	4,702 lb* (2133 kg)*	3,852 lb* (1747 kg)*	3,202 lb (1452 kg)	20 ft 0 in (6.10 m)	2,852 lb* (1,294 kg)*	1,902 lb (863 kg)
+5 ft (1.52 m)	6,802 lb* (3085 kg)*	5,652 lb (2563 kg)	4,502 lb* (2042 kg)*	3,002 lb (1361 kg)	20 ft 8 in (6.30 m)	3,052 lb* (1384 kg)*	1,702 lb (772 kg)
Ground-line	7,952 lb* (3607 kg)*	5,202 lb (2359 kg)	5,002 lb* (2269 kg)*	2,802 lb (1271 kg)	19 ft 10 in (6.05 m)	3,502 lb* (1588 kg)*	1,802 lb (817 kg)
-5 ft (-1.52 m)	7,652 lb* (3471 kg)*	5,102 lb (2314 kg)	4,902 lb* (2223 kg)*	2,702 lb (1225 kg)	17 ft 3 in (5.26 m)	3,652 lb* (1656 kg)*	2,202 lb (999 kg)
-10 ft (-3.05 m)	5,952 lb* (2700 kg)*	5,252 lb (2382 kg)					

Offset Boom with 5 ft 9 in (1.75 m) Arm Lift capacities calculated using a 460 lb (210kg) bucket, 3,020 lb (1370 kg) counterweight operating in "Standard" Mode, blade down.

Load (Lift Point) Height	10 ft (3.05 m)		15 ft (5.57 m)		MAXIMUM REACH		
	END	SIDE	END	SIDE	@	END	SIDE
+20 ft (6.10 m)					12 ft 9 in (3.89 m)	3,053 lb* (1385 kg)*	3,053 lb* (1385 kg)*
+15 ft (4.57 m)	3,403 lb* (1543 kg)*	3,403 lb* (1543 kg)*			17 ft 9 in (5.41 m)	3,003 lb* (1362 kg)*	2,352 lb (1067 kg)
+10 ft (3.05 m)	4,503 lb* (2042 kg)*	4,503 lb* (2042 kg)*	3,553 lb* (1611 kg)*	3,052 lb (1384 kg)	20 ft 0 in (6.10 m)	3,053 lb* (1385 kg)*	1,752 lb (795 kg)
+5 ft (1.52 m)	6,253 lb* (2836 kg)*	5,302 lb (2405 kg)	4,153 lb* (1884 kg)*	2,752 lb (1248 kg)	20 ft 7 in (6.27 m)	3,153 lb* (1430 kg)*	1,502 lb (681 kg)
Ground-line	7,153 lb* (3244 kg)*	4,602 lb (2088 kg)	4,553 lb* (2065 kg)*	2,452 lb (1112 kg)	19 ft 9 in (6.02 m)	3,303 lb* (1498 kg)*	1,552 lb (704 kg)
-5 ft (-1.52 m)	6,953 lb* (3154 kg)*	4,452 lb (2020 kg)	4,453 lb* (2020 kg)*	2,352 lb (1067 kg)	17 ft 2 in (5.23 m)	3,353 lb* (1521 kg)*	1,952 lb (886 kg)
-10 ft (-3.05 m)	5,353 lb* (2,428 kg)*	4,702 lb (2133 kg)					

6 ft 11 in (2.12 m) Arm Lift capacities calculated using a 420 lb (191 kg) bucket, 3,020 lb (1370 kg) counterweight operating in "Standard" Mode, blade down.

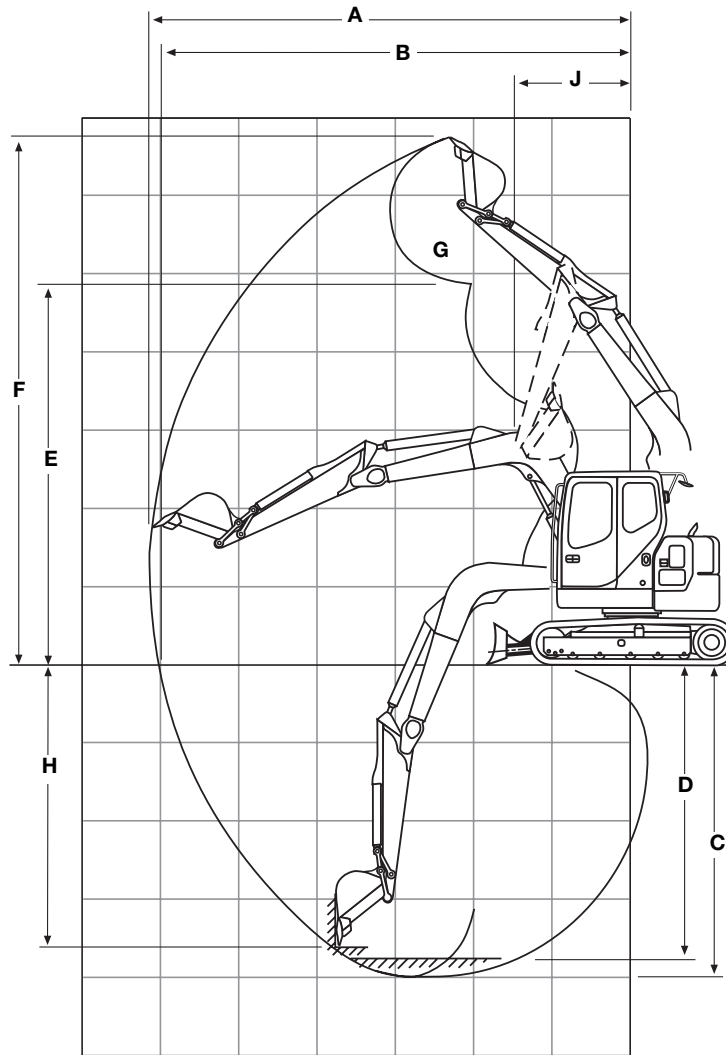
Load (Lift Point) Height	10 ft (3.05 m)		15 ft (5.57 m)		20 ft (6.10 m)		MAXIMUM REACH		
	END	SIDE	END	SIDE	END	SIDE	@	END	SIDE
+20 ft (6.10 m)							15 ft 0 in (4.57 m)	2,900 lb* (1315 kg)*	2,900 lb* (1315 kg)*
+15 ft (4.57 m)			3,153 lb* (1430 kg)*	3,153 lb* (1430 kg)*			19 ft 3 in (5.87 m)	2,603 lb* (1181 kg)*	2,152 lb (976 kg)
+10 ft (3.05 m)	4,003 lb* (1816 kg)*	4,003 lb* (1816 kg)*	3,503 lb* (1589 kg)*	3,252 lb (1475 kg)			21 ft 4 in (6.50 m)	2,603 lb* (1181 kg)*	1,702 lb (772 kg)
+5 ft (1.52 m)	6,303 lb* (2859 kg)*	5,802 lb (2632 kg)	4,203 lb* (1906 kg)*	3,002 lb (1362 kg)	3,450 lb* (1565 kg)*	1,850 lb (839 kg)	21 ft 11 in (6.68 m)	2,753 lb* (1249 kg)*	1,552 lb (704 kg)
Ground-line	7,853 lb* (3562 kg)*	5,202 lb (2360 kg)	4,853 lb* (2201 kg)*	2,802 lb (1271 kg)	3,600 lb* (1633 kg)*	1,750 lb (794 kg)	21 ft 1 in (6.43 m)	3,103 lb* (1407 kg)*	1,602 lb (727 kg)
-5 ft (-1.52 m)	7,803 lb* (3539 kg)*	5,052 lb (2292 kg)	4,953 lb* (2246 kg)*	2,652 lb (1203 kg)			18 ft 9 in (5.72 m)	3,453 lb* (1566 kg)*	1,902 lb (863 kg)
-10 ft (-3.05 m)	6,603 lb* (2995 kg)*	5,102 lb (2314 kg)	3,903 lb* (1770 kg)*	2,702 lb (1226 kg)					



DIMENSIONS

	5 ft 7 in (1.71 m) Arm	6 ft 11 in (2.12 m) Arm	5 ft 9 in (1.75 m) For Offset Boom
A. Overall height	8 ft 10 in (2.70 m)	9 ft 8 in (2.95 m)	9 ft 9 in (2.97 m)
B. Cab height	8 ft 10 in (2.70 m)	8 ft 10 in (2.70 m)	8 ft 10 in (2.70 m)
C. Overall length	19 ft 5 in (5.92 m)	19 ft 5 in (5.91 m)	19 ft 7 in (5.97 m)
D. w/o attachment	10 ft 9 in (3.28 m)	10 ft 9 in (3.28 m)	10 ft 9 in (3.28 m)
E. Width of upperstructure	7 ft 4 in (2.23 m)	7 ft 4 in (2.23 m)	7 ft 4 in (2.23 m)
F. Track overall length	9 ft 4 in (2.85 m)	9 ft 4 in (2.85 m)	9 ft 4 in (2.85 m)
G. Track overall width w/17.7 in (450 mm) shoes	7 ft 7 in (2.32 m)	7 ft 7 in (2.32 m)	7 ft 7 in (2.32 m)
H. Track shoe width	17.7 in (450 mm)	17.7 in (450 mm)	17.7 in (450 mm)
J. Center to center (idler to sprocket)	7 ft 3 in (2.21 m)	7 ft 3 in (2.21 m)	7 ft 3 in (2.21 m)
K. Upperstructure ground clearance	2 ft 5 in (0.75 m)	2 ft 5 in (0.75 m)	2 ft 5 in (0.75 m)
L. Minimum ground clearance	1 ft 2 in (0.36 m)	1 ft 2 in (0.36 m)	1 ft 2 in (0.36 m)
M. Tail swing radius	4 ft 1 in (1.24 m)	4 ft 1 in (1.24 m)	4 ft 1 in (1.24 m)
Dozer blade width	7 ft 7 in (2.32 m)	7 ft 7 in (2.32 m)	7 ft 7 in (2.32 m)
Dozer blade height	1 ft 6 in (0.45 m)	1 ft 6 in (0.45 m)	1 ft 6 in (0.45 m)
Working weight*	17,468 lb (7919 kg)	17,558 lb (7964 kg)	18,207 lb (8259 kg)
Ground pressure	5.1 psi (35 kPa)	5.1 psi (35 kPa)	5.3 psi (37.0 kPa)

*With 17.7 in (460 mm) track shoe, 460 lb (210 kg) bucket, 165 lb (75 kg) operator, full fuel and standard equipment.



PERFORMANCE SPECS

	5 ft 7 in (1.71 m) Arm	6 ft 11 in (2.12 m) Arm	5 ft 9 in (1.75 m) For Offset Boom
A. Maximum dig radius	21 ft 5 in (6.52 m)	22 ft 8 in (6.90 m)	21 ft 4 in (6.49 m)
B. Dig radius at groundline	21 ft 0 in (6.39 m)	22 ft 3 in (6.77 m)	20 ft 10 in (6.36 m)
C. Maximum dig depth	13 ft 7 in (4.14 m)	14 ft 11 in (4.54 m)	13 ft 9 in (4.19 m)
D. Dig depth – 8 ft 0 in (2.44 m) level bottom	12 ft 6 in (3.81 m)	14 ft 0 in (4.26 m)	12 ft 6 in (3.81 m)
E. Dump height	17 ft 3 in (5.25 m)	18 ft 2 in (5.54 m)	16 ft 11 in (5.15 m)
F. Overall reach height	24 ft 1 in (7.33 m)	25 ft 0 in (7.62 m)	23 ft 7 in (7.20 m)
G. Bucket rotation	177°	177°	177°
H. Vertical straight wall dig depth	11 ft 11 in (3.64 m)	13 ft 5 in (4.10 m)	10 ft 8 in (3.26 m)
J. Minimum swing radius	5 ft 10 in (1.79 m)	6 ft 10 in (2.09 m)	7 ft 4 in (2.23 m)
Arm digging force			
Standard	8,610 lb (38.3 kN)	7,644 lb (34.0 kN)	8,857 lb (39.4 kN)
Bucket digging force			
Standard	12,792 lb (56.9 kN)	12,792 lb (56.9 kN)	12,792 lb (56.9 kN)
Dozer blade cutting edge			
Max. height	1 ft 4 in (0.42 kN)	1 ft 4 in (0.42 kN)	1 ft 4 in (0.42 kN)
Dozer blade cutting edge			
Max. depth	8 in (0.21 kN)	8 in (0.21 kN)	8 in (0.21 kN)
Dozer blade width	7 ft 7 in (2.32 kN)	7 ft 7 in (2.32 kN)	7 ft 7 in (2.32 kN)

STANDARD EQUIPMENT

OPERATOR'S COMPARTMENT

Cab with Isomount® system
Adjustable deluxe seat with
3 in (76 mm) seat belt
Safety glass
Air conditioning
AM/FM Radio w/auto tuner
Skylight
Sliding front windows
Windshield wiper w/washer

ENGINE

Isuzu AU-4LE2X diesel
Tier III certified
Glow plug
Selectable one touch accelerator/decelerator

ELECTRICAL

Batteries (1) 12-Volt
Horn

HYDRAULICS

ISO pattern pilot controls
Position mode selector: S
Variable flow piston pumps
Neutral pump destroke
Auxiliary hydraulic valve
Boom anti-drift valves
Ultra Clean filtration system

UNDERCARRIAGE

Shoes: 17.7 in (450 mm) 3-bar, 39 per side
Track length: 9 ft 4 in (2.85 m)
Track gauge: 6 ft 2 in (1.87 m)
Dozer blade

TRACK DRIVE

2-speed hydrostatic travel
Disc-type parking brakes

UPPERSTRUCTURE

Boom: 12 ft 8 in (3.87 m) one piece
Hammer adaptable
Swing brake

OTHER

Counterweight: 3,020 lb (1370 kg)
Single key vandal lockup

OPTIONAL EQUIPMENT

UPPERSTRUCTURE

Arm: 6 ft 11 in (2.18 m)
Offset boom: 12 ft 10 in (3.92 m)
Arm for offset boom: 5 ft 9 in (1.74 m)

UNDERCARRIAGE

Track Shoes: 24 in (600 mm)
Rubber Track Pads

HYDRAULICS

Auxiliary hydraulics
Single acting, one pump (includes
heavy-duty bucket linkage)
Double acting, single or dual
pump (includes heavy-duty
bucket linkage)
Double acting general purpose
for use with thumb kit
Control pattern selector valve

OTHER

Load holding control devices
Cylinder mounted
Case/JRB Slide-Loc*
Hydraulic Coupler

BUCKETS

Application	Width	SAE Heaped Capacity
General purpose	18 in to 30 in (0.457 to 0.762 m)	0.24 yd ³ to 0.45 yd ³ (0.18 m ³ to 0.34 m ³)
Ditching	42 in to 48 in (1.067 to 1.219 m)	0.60 yd ³ to 0.70 yd ³ (0.46 m ³ to 0.54 m ³)

This page intentionally left blank.

NOTE: All specifications are stated in accordance with SAE Standards or Recommended Practices, where applicable.

NOTE: All engines meet current EPA emissions requirements.

IMPORTANT: Case Construction Inc. reserves the right to change these specifications without notice and without incurring any obligation relating to such change. Case Construction Inc. does not warrant the safety or reliability of attachments from other manufacturers.

Case is a registered trademark of CNH America LLC. Any trademarks referred to herein, in association with goods and/or services of companies other than CNH America LLC, are the property of those respective companies.



www.casece.com

