

**CASE**  
CONSTRUCTION



# F SERIES WHEEL LOADERS 621F - SPEC SHEET

**Tier2**



**FASTER, FUEL EFFICIENT**

# FASTER, FUEL EFFICIENT

## A SAFE INVESTMENT FOR THE TOUGHEST JOBS

For the toughest jobs, reliability comes with a perfect control of the oil temperature in the axles.

- **For soft soil** where higher grip control and higher resistance are needed:
  - **Effective grip control** with the differential lock on the front axle. It can be activated automatically or manually controlled with the left foot.
  - **No overheating** because the differential lock does not slip
  - **Higher resistance** with heavy duty front and rear axles.
- **For a limited investment**, standard axles with limited slip differential are also available and proven to be reliable.
- **For even more reliability**, we have invented the COOLING BOX that keeps constant the cooling fluids temperature.



## **EASIER MAINTENANCE, LOWER COSTS**

- A single piece electronically-operated engine hood lifts clear of the engine for service and maintenance
- There are remote fluids drain taps for the engine oil, coolant and hydraulic oil.

## **PREMIUM ENGINE TECHNOLOGY**

This electronically-controlled 6.7 liter engines offers the operator a choice of four power and torque ratings, MAX, STANDARD, ECONOMY or AUTOMATIC mode. This boosts productivity and reduce fuel consumption.



# MORE COMFORT FOR MORE PRODUCTIVITY



## Access fit for a King

Getting in the cab is easy; the wide steps and the handle make you feel safe, while the wide door provides unobstructed access.

## Outstanding visibility

You'll feel more confident and work faster with the great all round visibility.

The curved rear hood shape is very low, reducing the risk of accidents and improving safety on side.



## All controls at your fingertips

Greater focus on the job and less stress with fewer arm moves thanks to the ergonomic positioning of the control panel under your right hand.



## Feel confident with ROPS

All our wheel loaders' cab are reinforced and guarantee the operator protection against roll over (ROPS certified).

## Great storage space

The overhead radio placement and the storage make the Case cab even more convenient for you



**FASTER, FUEL EFFICIENT**





# THE DNA OF YOUR 621F

## Productivity (50 meter distance cycle)

Considering density at 1,8 t/m<sup>3</sup> and 100% fill factor  
52 cycles/hour including 5 minute break \_\_\_\_\_ 52 loading cycles/h  
with 2.4 m<sup>3</sup> bucket \_\_\_\_\_ 125 m<sup>3</sup>/h or 225 t/h of material

## Engine

Make \_\_\_\_\_ FPT engine F4HFA613F compliant  
with EPA Tier2 or EU Stage II regulations  
Number of cylinders \_\_\_\_\_ 6 cylinders -6.7 liters - common rail  
Max power SAE J1995 \_\_\_\_\_ 128 kW / 172 hp @1800 rpm  
Maximum torque SAE J1995 \_\_\_\_\_ 730 Nm @1600 rpm

## Transmission

All-wheel drive with planetary axles  
4-speed auto Powershift ZF type 4WG160, switchable to manual  
shifting  
Adjustable transmission declutch  
forward speeds: 7-13-24-39 Km/h  
reverse speeds: 7-14-25 Km/h  
Kick-down function

## Axles and differential

- **for outstanding traction with 50% longer maintenance intervals and 30% less tire wear:**  
100% auto-lock differential on front axle and open rear axles  
Front and rear ZF heavy duty axles with open differential and 100% front lock  
Type MT-L3075-II - dynamic load: 12.700kg  
- **for limited investment and good traction:**  
29% Limited slip differential on front and rear axles  
Front heavy duty axle type MT-L3075-II - dynamic load: 12.700kg  
Rear oscillating axle ZF type MT-3065-II rear - dynamic load 10.700kg

## Tires

Tires \_\_\_\_\_ 20,5R25

## Brakes

Service brake \_\_\_\_\_ Maintenance free, self-adjusting wet 4-wheel disc brakes  
Area \_\_\_\_\_ 0,39 m<sup>2</sup>/hub  
Parking brake \_\_\_\_\_ Disc brake on transmission activated from the cab cluster  
Area \_\_\_\_\_ 58 cm<sup>2</sup>

## Hydraulics

Valves \_\_\_\_\_ Rexroth Closed-center, Load sensing hydraulic system.  
Main valve with 3 sections  
Steering \_\_\_\_\_ The steering orbitrol hydraulically is actuated with priority valve  
Type of pump \_\_\_\_\_ Tandem Variable displacement pump (171 l/min @250 bar)

Automatic hydraulic functions  
- Bucket Return-to-dig  
- Boom Return-to-travel  
- Auto.lift (to adjustable height)  
Control type \_\_\_\_\_ Pilot control with single joystick or two levers

## Capacities

Fuel tank \_\_\_\_\_ 248 usable liters  
Cooling system \_\_\_\_\_ 26.8 liters  
Engine oil \_\_\_\_\_ 13 liters  
Hydraulic oil \_\_\_\_\_ Tank: 91 liters, total system: 148 liters  
Transmission oil \_\_\_\_\_ 27 liters

## Cab

Cab complies to:  
protection against falling objects (FOPS) \_\_\_\_\_ ISO EN3449  
protection against roll over (ROPS) \_\_\_\_\_ ISO EN13510  
Air flow \_\_\_\_\_ 8.5 m<sup>3</sup> / min spread through 17 air vents

## Noise and vibration

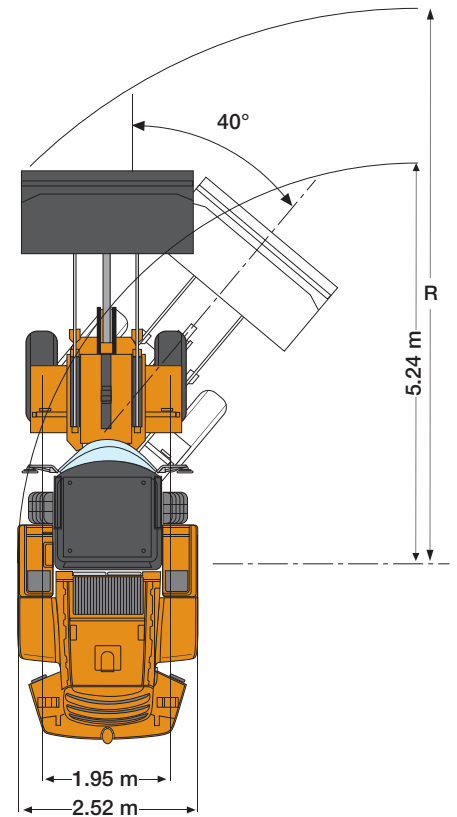
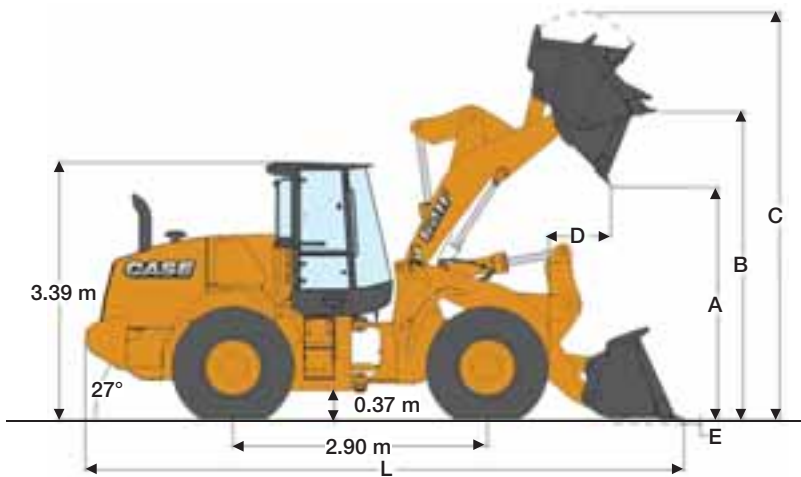
Driving noise in dB (A) 82 to SAE J88 @ 15 meters  
Interior noise \_\_\_\_\_ 71 dB(A) as per ISO 6595/6396/3744  
Exterior noise \_\_\_\_\_ 72 dB(A) at 15 meters as per SAE J88 SEP80  
103 dB (A) according to ISO 6595/6396/3744  
Reverse gear alarm  
Vibrations \_\_\_\_\_ air-cushioned seat MSG 95A/732  
average 1,4 m/s<sup>2</sup> as per ISO/TR 25398:2006

## Electrical

24V. Batteries 2 x 12V.  
Alternator \_\_\_\_\_ 65 A



# 621F Specifications



### LOADER SPEED:

Raising time (loaded)	6.3 sec
Dump time (loaded)	1.2 sec
Lowering time (empty, power down)	4.4 sec
Lowering time (empty, float down)	4.4 sec

621F		Z-bar				XR / Long Reach Buckets				XT Buckets	
		2.3 m <sup>3</sup>		2.1 m <sup>3</sup>		1.9 m <sup>3</sup>		1.9 m <sup>3</sup>		1.9 m <sup>3</sup>	
		edge light duty	teeth general purpose	edge general purpose	teeth general purpose	edge light material	teeth general purpose	edge general purpose	teeth general purpose	edge general purpose	teeth general purpose
				1.9 m <sup>3</sup> w/QC				1.9 m <sup>3</sup> w/QC		1.9 m <sup>3</sup> w/QC	
Bucket volume (heaped)	m <sup>3</sup>	2,3	2,1	1,9	1,9	3,4	2,1	1,9	1,9	1,9	1,9
Bucket Payload	kg	4377	4496	4016	4071	3494	3733	3747	3755	3747	3755
Maximum material density	ton/m <sup>3</sup>	1,9	2	2,1	2,2	1	1,9	2	2	2	2
Bucket outside width	mm	2602	2602	2602	2605	2602	2602	2605	2605	2605	2605
Bucket weight	kg	948	863	1277	1237	989	863	1265	1227	1265	1227
Tipping load - straight	kg	9979	9562	9198	9316	8019	8543	8590	8604	8590	8604
Tipping load - Articulated at 40°	kg	8754	8992	8031	8141	6989	7465	7493	7510	7493	7510
Breakout force	kg	10871	10267	9898	10476	8623	10572	10339	10836	10339	10836
Lift capacity from ground	kg	10535	11830	8006	8363	10903	11528	13633	13563	13633	13563
A - Dump height at 45° at full height	mm	2802	2751	2752	2657	3010	3164	2737	2642	2737	2642
B - Hinge pin height	mm	3831	3831	3830	3830	4244	4244	3958	3958	3958	3958
C - Overall height	mm	5033	4956	5087	5088	5820	5369	5353	5384	5353	5384
D - Bucket reach at 45° full height	mm	1013	1072	1089	1193	1232	1088	1304	1408	1304	1408
E - Dig depth	mm	86	86	75	82	123	98	64	70	64	70
L - Overall length with bucket on the ground	mm	7383	7461	7462	7609	8096	7870	7679	7826	7679	7826
R - Turning radius to front corner of the bucket	mm	11552	11599	11599	11692	12140	11990	11523	11590	11523	11590
Bucket rollback in carry position	°	43	43	43	43	46	45	58	58	58	58
Dump angle at full height	°	52	52	52	52	46	46	55	55	55	55
Machine operating weight	kg	12162	12077	12491	12451	12399	12273	12562	12524	12562	12524



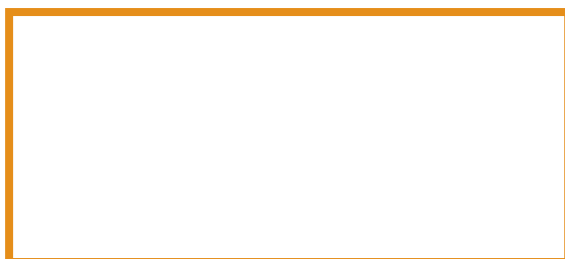




Form No. IR2401CCGB - Printed in Italy - MediaCross Firenze - 03/12



**CNH INTERNATIONAL SA**  
Riva Paradiso, 14  
6902 Paradiso  
SWITZERLAND



NOTE: Standard and optional fittings can vary according to the demands and specific regulations of each country. The illustrations may include optional rather than standard fittings - consult your Case dealer. Furthermore, CNH reserves the right to modify machine specifications without incurring any obligation relating to such changes.

Conforms to directive 98/37/CE **CE**

